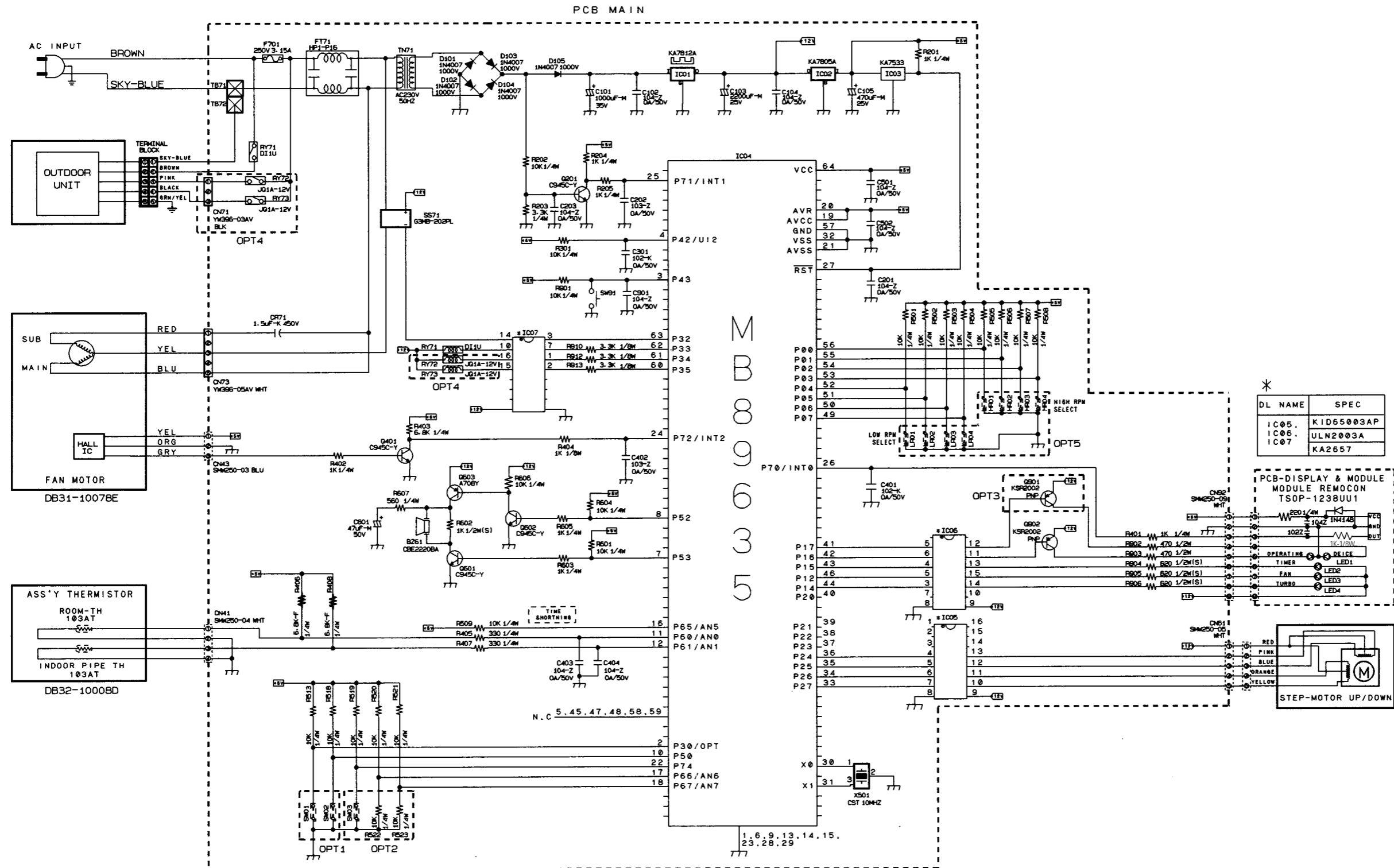


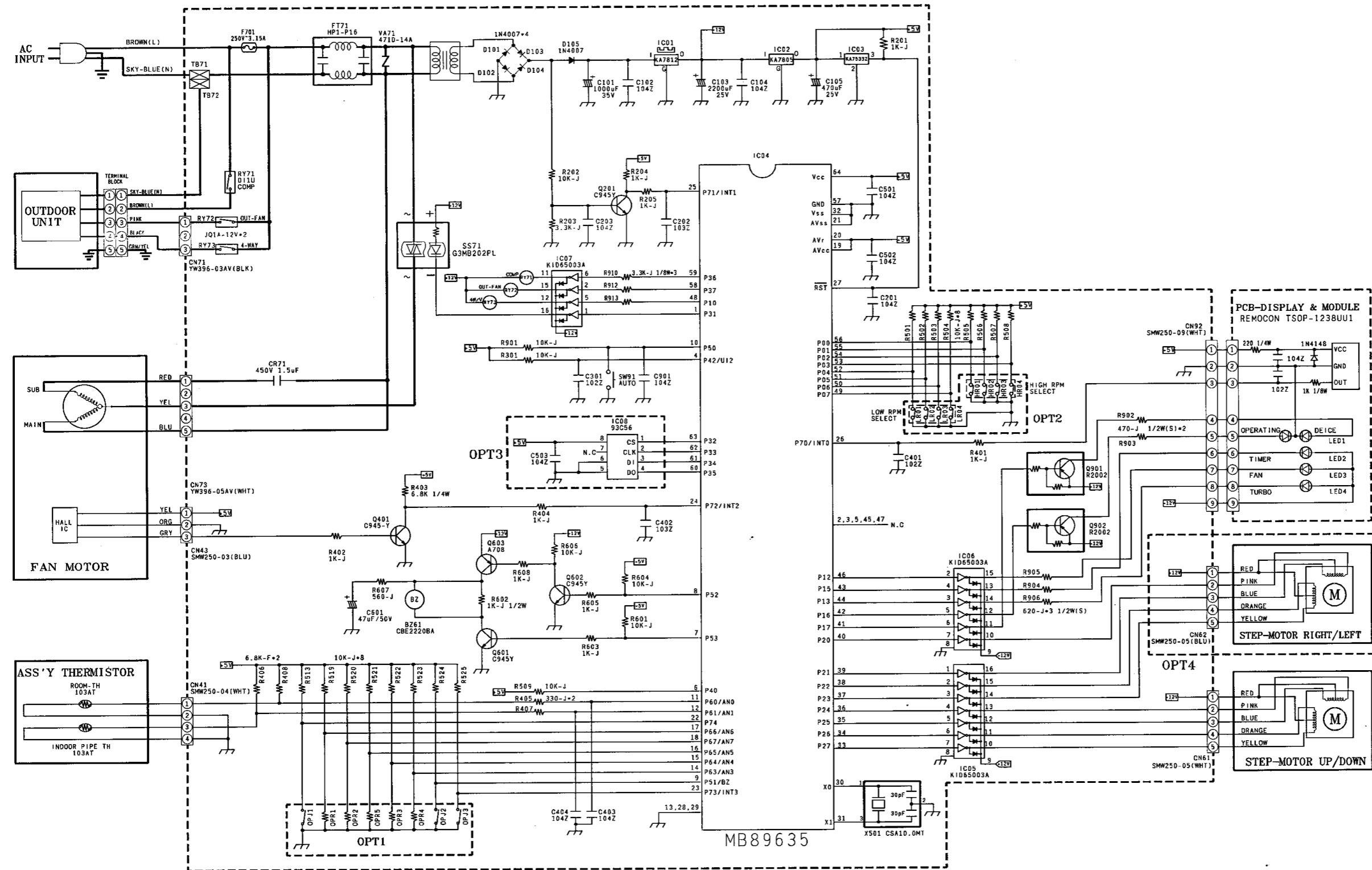
# 10. Schematic Diagrams

## 10-1 Indoor Unit

### 10-1-1 AQ07A1VE / AQ09A1VE / AQ12A1VE



10-1-2 AQ09A1VB / AQ12A1VB



# 10-2 Remote Control

